

Rotary Screw Air Compressors

Reliability & Efficiency Without Compromise

**Reliable
Aftermarket
& Service**



SKY Air Compressor Range

- ▶ Pressure range
7 to 20 bar
- ▶ Volume flow
1.2 to 100 m³/min
- ▶ Motor power
7.5 to 560 kW

**Fixed &
Variable Speed**

Direct Driven Fixed Speed RK Series

Product features

- Excellent performance, true first class energy consumption.
- After a long time operation, the input power is not higher than the new machine. True energy saving.
- Suitable for variety hard environment conditions. It can operate well under the environment temperature from -30°C to 55°C.
- 24 hours continuous trouble-free operation, highly automated intelligent PLC, remote control function.
- Double filtration system, remove impurities and particles in the suction air, longer life of the air end and lubricating oil.



Technical Parameters

Model	Air Delivery (m ³ /min)				Power (kW)	Noise dB(A)	Outlet diameter	Dimension (mm)	Weight (Kg)
	7Bar	8Bar	10Bar	13Bar				L * W * H	
SK7.5A	1.3	1.2	1.0	0.7	7.5	63	G3/4	900*650*860	190
SK11A	1.8	1.7	1.6	1.0	11	65	G3/4	1150*750*960	320
SK15A	2.4	2.3	2.0	1.6	15	65	G3/4	1150*750*960	340
SK22A	3.7	3.6	3.2	2.8	22	68	G1	1350*850*1120	430
SK30A	5.2	5.0	3.9	3.4	30	68	G1	1500*1000*1350	600
SK37A	6.5	6.2	5.6	4.9	37	69	G1 1/2	1500*1000*1350	650
SK45A	8.0	7.3	6.0	5.9	45	70	G1 1/2	1500*1000*1350	730
SK55A	10.1	9.5	8.7	7.3	55	70	G2	1700*1200*1550	950
SK75A	13.6	12.8	11.3	9.2	75	72	G2	1700*1200*1550	1050
SK90A	16.1	15.5	13.6	12.5	90	72	G2	2100*1400*1650	1420
SK110A	21.2	19.6	17.8	15.5	110	72	DN65	2500*1650*1900	2200
SK132A	24.1	23.2	19.5	17.8	132	72	DN65	2500*1650*1900	2400
Sk160A	28.8	27.8	23.0	20.0	160	72	DN80	3000*1900*1950	3650
SK185A	32.5	31.2	27.5	25.8	185	72	DN80	3000*1900*1950	3950
SK200A	34.5	34.0	30.5	28.0	200	76	DN80	3600*2200*2200	4200
SK220A	36.8	35.0	32.0	30.0	220	76	DN100	3600*2200*2200	4600
SK250A	43.0	41.5	38.0	34.9	250	76	DN100	3600*2200*2200	5900
SK280A	51.3	50.6	46.0	41.5	280	82	DN100	3600*2200*2200	6000
SK315A	56.8	55.9	50.1	42.0	315	82	DN125	4600*2300*2430	7800
SK315W	56.8	55.9	50.1	42.0	315	82	DN125	4200*2300*2430	7500
SK355A	66.1	65.4	55.1	46.0	355	85	DN125	4600*2300*2430	8200
SK355W	66.1	65.4	55.1	46.0	355	82	DN125	4200*2300*2430	7900

Intelligent Permanent Magnet Variable Speed RKM Series

Product features

- Super IE4 class, 97% high-efficiency energy-saving PM motor.
- Latest technology screw air end, more compact and stable.
- Intelligent frequency conversion technology, energy saving up to 42%.
- Internet remote control, monitor your compressor anytime, anywhere.



Technical Parameters

Model	Air Delivery (m ³ /min)			Power (kW)	Noise dB(A)	Outlet diameter	Dimension (mm) L * W * H	Weight (Kg)
	8Bar	10Bar	13Bar					
SK7.5APM	0.5-1.2	0.4-1.0	0.3-0.7	7.5	63	G3/4	900*650*860	190
SK11APM	0.6-1.7	0.5-1.6	0.4-1.0	11	65	G3/4	1150*750*960	320
SK15APM	1.0-2.4	0.8-2.1	0.7-1.6	15	65	G3/4	1150*750*960	340
SK22APM	1.5-3.7	1.3-3.2	1.1-2.8	22	68	G1	1350*850*1120	430
SK30APM	2.0-5.0	1.6-3.9	1.4-3.4	30	68	G1	1500*1000*1350	600
SK37APM	2.5-6.2	2.2-5.6	2.0-4.9	37	69	G1 1/2	1500*1000*1350	650
SK45APM	3.0-7.3	2.4-6.0	2.3-5.9	45	70	G1 1/2	1500*1000*1350	730
SK55APM	3.8-9.5	3.5-8.7	3.0-7.3	55	70	G2	1700*1200*1550	950
SK75APM	5.1-12.8	4.5-11.3	3.7-9.2	75	72	G2	1700*1200*1550	1050
SK90APM	6.2-15.5	5.4-13.6	5.0-12.5	90	72	G2	2100*1400*1650	1420
SK110APM	7.8-19.6	7.1-17.8	6.2-15.5	110	72	DN65	2500*1650*1900	2200
SK132APM	9.3-23.2	7.8-19.5	7.1-17.8	132	72	DN65	2500*1650*1900	2400
SK160APM	11.1-27.8	9.2-23.0	8.0-20.0	160	72	DN80	3000*1900*1950	3650
SK185APM	12.5-31.2	11.0-27.5	10.3-25.8	185	72	DN80	3000*1900*1950	3950
SK200APM	13.6-34.0	12.2-30.5	11.2-28.0	200	76	DN80	3600*2200*2200	4200
SK220APM	14.0-35.0	12.8-32.0	12.0-30.0	220	76	DN100	3600*2200*2200	4600
SK250APM	16.6-41.5	15.2-38.0	14.0-34.9	250	76	DN100	3600*2200*2200	5900
SK280APM	20.2-50.6	18.4-46.0	16.6-41.5	280	82	DN100	3600*2200*2200	6000
SK315APM	22.2-55.9	20.0-50.1	16.8-42.0	315	82	DN125	4600*2300*2430	7800
SK315WPM	22.2-55.9	20.0-50.1	16.8-42.0	315	82	DN125	4200*2300*2430	7500
SK355APM	26.0-65.4	22.0-55.1	18.4-46.0	355	85	DN125	4600*2300*2430	8200
SK355WPM	26.0-65.4	22.0-55.1	18.4-46.0	355	82	DN125	4200*2300*2430	7900

SKY Special Recommendation

Product features

Save your lens from contamination! Cut by Rocky All-in-one Fiber Laser Compressor!

- **How we control the particles in the compressed air?**
Higher grade air filter with multilayer design, ensure air dustless.
- **How we control the moisture in the compressed air?**
Built-in air dryer.
Cyclone air-water separator filter.
Special design air tank.
- **How we control the oil content in the compressed air?**
Special system design, no-touch compression technology.
Oil filter and separator filter to make sure the oil stay controlled.

Cut thicker, faster, cleaner? Cut by Rocky All-in-one Fiber Laser Compressor!

- The world's leading compressor technology, constantly supply 20bar (284psi) pressure ultra-high compressed air, by maximize your laser feature to provide efficient laser cutting experience with no dross.
- More than 8 filters has been installed in the system, strictly control the air quality to prevent lens get contaminated.
- User-friendly design, power on/off that's all, the whole process is automatic, including the draining the impurities and sewage.
- Money saving, VFD inverter shifts the mode to idling when the storage is enough, tank-mounted design saves the shipping cost with small footprint, pay off in month one or two.



Super High Pressure 16-20bar Series For Fiber Laser Cutting Application

Product features

- Latest high-tech screw air end, ensure high stability, smoother cutting and better-looking cutting surface.
- Multiple high-efficiency oil and water removal devices ensure the compressed air entering the laser cutting machine is dry and oil-less.
- Thermostatic control minimizes the moisture content of the air, ensuring system reliability & lifetime.
- Equipped with a large-capacity air storage tank, which stabilizes the air supply pressure and condensates the moisture.
- The integrated automatic drainage system improves the purity and dryness of the compressed air, significantly keeps the laser lens clean away from contamination.
- All-in-one design, user-friendly, easy to use and transport.



Technical Parameters

Model	Air Delivery (m ³ /min) max	Exhaust pressure (Bar) max	Power (kW)	Noise dB(A)	Outlet diameter (In)	Dimension (mm)	Weight (Kg)	Exhaust pressure dew point (°C)	Exhaust dust content (µm)	Exhaust oil content (ppm)	Gas storage tank capacity (L)
SMZY-430A	1.05	16	11/15	65	G3/4	1800*900*1780	430	2~10	0.01	0.001	400
SMZY-450A	1.52	16	15/20	65	G3/4	1800*900*1780	450	2~10	0.01	0.001	400
SMZY-550A	2.41	16	22/30	68	G3/4	1880*900*1980	550	2~10	0.01	0.001	400
SMZY-700AA	2.41	16	22/30	70	G3/4	2250*900*2080	700	-20	0.01	0.001	400
SMZY-980AA	3.90	16	37/50	70	G3/4	2660*1000*2050	980	-20	0.01	0.001	600
SMZY-450AS	1.05	20	11/15	65	G3/4	1800*900*1780	460	2~10	0.01	0.001	400
SMZY-480AS	1.52	20	15/20	65	G3/4	1800*900*1780	480	2~10	0.01	0.001	400
SMZY-600AS	2.41	20	22/30	68	G3/4	1880*900*1980	600	2~10	0.01	0.001	400
SMZY-780AAS	2.41	20	22/30	70	G3/4	2250*900*2080	780	-20	0.01	0.001	400
SMZY-1080AAS	3.90	20	37/50	70	G3/4	2660*1000*2050	1080	-20	0.01	0.001	600

Note:

1. Extra "A" represents extra absorption dryer.
2. Extra "S" means "Super High 20bar" discharge pressure.
3. All the compressor is pressure adjustable.

Two-stage Permanent Magnet Variable Speed RK-APMII Series

Product features

- Getting more compressed at the same power consumption.
- Two-stage compression air end, increase the efficiency 8% on average.
- Super IE4 class, SF1.2-1.35 service factor, 97% high-efficiency energy-saving PM motor, ensure trouble-free in all weather conditions.
- Excellent oil air separation performance, outlet oil content is less than 2 ppm.
- Silent centrifugal fan, stronger wind pressure reduce the probability of heat exchanger failure.

Lower power consumption, higher air capacity.



Technical Parameters

Model	Air Delivery (m ³ /min)				Power (kW)	Noise dB(A)	Outlet diameter	Dimension (mm)	Weight (Kg)
	7bar	8Bar	10bar	13bar				L * W * H	
SK22APMII	1.4-4.5	1.3-4.2	1.1-3.5	0.8-2.7	22	68	G11/2	1350*850*1110	600
SK30APMII	1.8-6.0	1.7-5.9	1.4-4.7	1.2-4.0	30	68	G11/2	1200*1000*1350	700
SK37APMII	2.3-7.5	2.1-6.9	1.8-6.0	1.6-5.4	37	68	G11/2	1500*1000*1350	750
SK45APMII	3.2-10.5	3.0-9.9	2.3-7.8	2.0-6.8	45	72	G2	2100*1300*1650	1250
SK55APMII	4.1-13.6	3.8-12.5	3.0-10.1	2.3-7.5	55	76	G2	2100*1300*1650	1300
SK75APMII	4.8-16.0	4.7-15.5	3.8-12.8	3.1-10.2	75	76	G2	2100*1300*1650	1350
SK90APMII	6.2-20.7	5.9-19.5	4.8-16.2	4.2-14.0	90	76	DN80	2500*1650*1900	2700
SK110APMII	7.4-24.8	7.2-24.0	6.1-20.2	4.8-16.0	110	76	DN80	2500*1650*1900	2800
SK132AAPMII	8.7-29.0	8.4-28.0	7.1-23.7	5.7-19.0	132	78	DN80	2500*1650*1900	3000
SK160APMII	10.2-34.0	9.8-32.5	8.4-28.0	6.9-23.0	160	78	DN80	3000*1900*1950	4300
SK185APMII	11.7-39.0	10.8-36.0	9.6-32.0	8.3-27.5	185	78	DN80	3000*1900*1950	4400
SK200APMII	13.1-43.5	12.3-41.0	10.7-35.5	9.5-31.5	200	78	DN100	3600*2200*2200	5000
SK220APMII	15.5-51.5	14.5-48.3	11.6-38.5	10.7-35.5	220	82	DN100	3600*2200*2200	5500
SK250APMII	16.2-54.0	15.3-51.0	13.5-45.0	11.4-38.0	250	82	DN100	3600*2200*2200	6000
SK280APMII	18.0-60.0	17.1-57.0	15.0-50.0	12.9-43.0	280	82	DN125	3600*2200*2200	6800
SK315APMII	19.5-65.0	18.6-62.0	16.8-56.0	15.2-50.5	315	82	DN125	4200*2300*2350	8000
SK355APMII	22.5-75.0	21.9-73.0	19.2-64.0	16.5-55.0	355	82	DN150	4200*2200*2350	8500
SK400APMII	25.2-84.0	24.6-82.0	21.6-72.0	18.3-61.0	400	82	DN150	4200*2200*2350	9800

System Features of Two-stage Screw Air Compressors

After the air is compressed in the first stage, it is cooled by enhanced fuel injection to reduce the temperature of the second stage suction, and the air is compressed isothermally to reduce the compression ratio. The two-stage compression uses equal pressure ratio to design the inter-stage pressure, so the compression ratio of each stage is much lower than the single-stage. The return leakage between the rotors is greatly reduced, and the volumetric efficiency and adiabatic efficiency are greatly improved, which leads to the increase of compressed air production. The compressed air production of two-stage is 15% higher than the single-stage under the same power, which means 15% efficiency up.



01 Intelligent control system

- Visually display, running status, data and fault alarm.
- Monitoring all time, pressure, power, temperature.
- The fault monitoring and alarm record.
- Timed power on and off.

03 PM High Efficiency Frequency Conversion Motor

- 7% efficiency up than regular motor on average.
- Eliminating no-load.
- Eliminating the residual pressure.
- Made of rare earth material, avoid starting current peak by realizing VFD start.



02 Low-pressure Two-stage Compression Air end

- Reducing the compression ratio.
- Almost isothermal compression.
- Reducing the leakage in return.
- 15% efficiency up than single-stage.
- 6-10% efficiency up than regular two-stage.



04 Customized Enlarged Oil & Air Pipe System

- Enlarged oil and gas pipe system, less pressure loss.
- Excellent oil gas separation performance, the outlet oil content is less than 2 ppm.



05 Customized Larger Cooling System

- Improve the heat dissipation by enlarge the radiator, ensure compressor over-heat free.
- Stable system temperature guaranteed, avoid oil gets glued or airend gets carbon deposited.

06 Silent centrifugal fan

- The whole system adopts centrifugal fan, which is more efficient and energy-saving.
- Compared with axial fans, centrifugal fan has stronger wind pressure, lower noise and more energy saving.
- Using frequency conversion fan control, the oil temperature is constantly monitored, which greatly extends the service life of the lubricant.
- Stronger wind pressure reduces the probability of heat exchanger failure.



Low-pressure 2-5bar Permanent Magnet Variable Speed RL-APM Series



Sewage Treatment



Pharmaceutical Industry



Textile Industry



Glass Industry



Chemical Industry

Product features

- Rocky low pressure (3-5bar) compressors can be more than 30% energy-saving compared with general screw air compressors.
- Customized low pressure two-stage compression air end, with 1500rpm low speed, more efficient and stable.
- IP55 high standard protection level, IE4 97% efficiency PM VSD motor, ensuring trouble-free loading under poor environmental conditions.
- German KTR coupling is adopted to improve the working performance of the transmission system and prolongs the service life of the equipment.
- Best choice for 5 bar demands, high precision double filter design with fully closed housing, featured as waterproof, anti-dust, anti-vibration, adopts tough working environment such as cement and textile industry.

Technical Parameters

Model	Air Delivery (m ³ /min)	Working pressure (Mpa)	Power (kW)	Noise dB(A)	Outlet diameter	Dimension (mm)	Weight (Kg)
						L * W * H	
SL37APM	11.8	0.3	37	72	DN80	2100*1300*1650	1300
	10.0	0.4	37	72	DN80	2100*1300*1650	1300
	8.0	0.5	37	72	G2	1700*1200*1550	900
SL45APM	17.0	0.2	45	72	DN100	2500*1650*1900	2500
	13.5	0.3	45	72	DN80	2100*1300*1650	1500
	11.8	0.4	45	72	DN80	2100*1300*1650	1500
	10.0	0.5	45	72	G2	1700*1200*1550	950
SL55APM	20.5	0.2	55	72	DN125	2500*1650*1900	2900
	17.0	0.3	55	72	DN100	2500*1650*1900	2900
	14.2	0.4	55	72	DN80	2100*1300*1650	1600
	13.3	0.5	55	72	G2	2100*1300*1650	1550
SL75APM	27.0	0.2	75	76	DN125	2500*1650*1900	3000
	24.0	0.3	75	76	DN100	2500*1650*1900	3000
	20.5	0.4	75	76	DN100	2500*1650*1900	2900
	17.0	0.5	75	76	G2	2100*1300*1650	1550
SL90APM	34.0	0.2	90	76	DN125	3000*1900*1950	3500
	28.0	0.3	90	76	DN100	2500*1650*1900	3100
	24.0	0.4	90	76	DN100	2500*1650*1900	3000
	20.0	0.5	90	76	DN80	2500*1650*1900	2950
SL110APM	43.0	0.2	110	76	DN200	3600*2200*2200	5300
	34.0	0.3	110	76	DN125	3000*1900*1950	4000
	29.6	0.4	110	76	DN100	3000*1900*1950	3500
	24.0	0.5	110	76	DN80	3000*1900*1950	3200
SL132APM	52.0	0.2	132	76	DN200	3600*2200*2200	5800
	42.0	0.3	132	76	DN125	3000*1900*1950	4300
	36.5	0.4	132	76	DN100	3000*1900*1950	4100
	30.5	0.5	132	76	DN80	3000*1900*1950	3700
SL160APM	60.0	0.2	160	78	DN200	3600*2200*2200	6500
	50.0	0.3	160	78	DN200	3600*2200*2200	6200
	44.0	0.4	160	78	DN100	3000*1900*1950	4300
	37.0	0.5	160	78	DN100	3000*1900*1950	4000

Low-pressure 5.5bar Two-stage Permanent Magnet Variable Speed RL-APMII Series

Product features

- Screw air end with large rotor and low rotary speed, high performance operation.
- Enlarged oil and gas pipe system, less pressure loss.
- Excellent oil gas separation performance, the outlet oil content is less than 2 ppm.
- The area of the oil radiator is increased more than 30% to ensure normal operation in high temperature climate without overheating.
- Separately design the compression ration of the air end, to ensure the best specific power.
- The air from low pressure screw machine is clean, reducing the times to clean the nozzle of texturing machine, improving the quality of finished products.
- Intelligent control system, adjust the air delivery automatically based on using (VFD models).
- Networking module is optional, you can know the operation of machine through mobile at anytime anywhere.



Technical Parameters

Model	Air Delivery (m ³ /min)	Power (kW)	Noise dB(A)	Outlet diameter	Dimension (mm)	Weight (Kg)
	5.5Bar				L * W * H	
SL45APMII	12.0	45	68	DN65	2450*1700*1760	1450
SL55APMII	15.0	55	70	DN65	2450*1700*1760	1800
SL75APMII	19.2	75	70	DN65	2450*1700*1760	2000
SL90APMII	23.0	90	72	DN80	2604*1904*1892	2700
SL110APMII	27.90	110	72	DN80	2604*1904*1892	3200
SL132APMII	33.30	132	72	DN100	3000*1900*1950	3100
SL160APMII	41.50	160	78	DN100	3000*1900*1950	4400
SL185APMII	43.50	185	78	DN125	3600*2200*2200	5500
SL200APMII	50.50	200	78	DN125	3600*2200*2200	6000
SL220APMII	55.06	220	80	DN150	4000*2300*2300	6800
SL250APMII	60.45	250	80	DN150	4000*2300*2300	7500



Oil-free Screw Blower BPM Series

■ Class 0 Oil-free

The special labyrinth and screw seal assembly ensure that the compression chamber is completely oil-free, reaching Class 0 level.

■ Low Energy Consumption

The oil-free screw blower is based on the principle of adiabatic compression with a total efficiency over 75%, which is 20-35% efficiency more than Roots Blowers. Higher discharge pressure, lower pressure pulsation.

■ Low Noise

Low aerodynamic noise, smooth output, waved inlet and discharge minimize airflow fluctuations, less noisy than traditional blowers.

■ Intelligent

Intelligent PLC Control, remotable and multiple language support, user-friendly.

■ Low Cost

Optimized structural design, stable operation, no foundation required, maximize customer's benefits.



As a new environmental protection and energy-saving product, oil-free screw blower is widely used in various industries of production and life. Especially in sewage treatment, textile, cement, chemical, power plant and other industries.



Application

- Sewage treatment industry
- Aeration
- Thermal power plant
- Cement industry
- Gas delivery
- Textile Engineering
- Filters backwash



Technical Parameters

Model	Power (kW)	Pressure (bar/kpa)	Air Delivery (m ³ /min)	Pipe Diameter	Dimension(mm)	Weight (kg)
SK5.5BPM	5.5	0.4/40	4.0	DN150	1400*1100*1360	700
		0.6/60	3.2			
SK7.5BPM	7.5	0.4/40	6.4	DN150	1400*1100*1360	750
		0.6/60	4.6			
		0.8/80	3.5			
SK11BPM	11	0.4/40	9.0	DN150	1400*1100*1360	800
		0.6/60	7.5			
		0.8/80	6.0			
		1.0/100	4.8			
		1.2/120	4.0			
		1.5/150	2.8			
SK15BPM	15	0.4/40	13.6	DN150	2200*1250*1900	1200
		0.6/60	10.5	DN150	1400*1100*1360	800
		0.8/80	8.3			
		1.0/100	6.7			
		1.2/120	5.8			
SK18.5BPM	18.5	1.5/150	4.5	DN150	2200*1250*1900	1250
		0.4/40	16.2			
		0.6/60	13.1		1400*1100*1360	800
		0.8/80	10.3			
		1.0/100	9.2			
		1.2/120	7.5			
SK22BPM	22	1.5/150	6.0	DN150	2200*1250*1900	1250
		0.4/40	22.0			
		0.5/50	19.0			
		0.6/60	16.0			
		0.7/70	14.5			
		0.8/80	13.0			
		1.0/100	9.5			
		1.2/120	8.8			
SK30BPM	30	1.5/150	7.0	DN150	1400*1100*1360	850
		0.4/40	29.0			
		0.6/60	26.0			
		0.7/70	23.5			
		0.8/80	21.5			
		1.0/100	15.8			
		1.2/120	12.5			
SK37BPM	37	1.7/170	7.5	DN150	1400*1100*1360	800
		0.4/40	38.0	DN200	2700*1400*1900	1750
		0.5/50	35.0			
		0.6/60	32.0	DN150	2200*1250*1900	1250
		0.8/80	26.0			
		1.0/100	21.5			
		1.2/120	15.5			
1.5/150	12.5					
SK45BPM	45	1.7/170	12.7	DN150	2200*1250*1900	1300
		0.4/40	44.0			
		0.5/50	42.0			
		0.6/60	38.0			
		0.8/80	33.5			
		1.0/100	26.0			
		1.2/120	21.0			
SK55BPM	55	1.5/150	15.5	DN150	2200*1250*1900	1350
		0.4/40	55.0			
		0.6/60	48.0			
		0.7/70	44.0			
		0.8/80	41.5			
		1.0/100	35.0			
		1.2/120	31.0			
		1.5/150	21.0			
SK75BPM	75	1.8/180	16.5	DN150	2200*1250*1900	1400
		2.0/200	14.5			
		0.4/40	78.0			
		0.6/60	68.0			
		0.7/70	61.0			
		0.8/80	55.0			
		0.9/90	51.0			
		1.0/100	47.0			
		1.2/120	42.5			
		1.5/150	34.0			
1.8/180	27.0					
SK75BPM	75	2.0/200	24.5	DN150	2200*1250*1900	1400
		DN200	2700*1400*1900	1800		
					DN250	3100*1500*2150

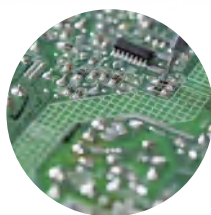
Model	Power (kW)	Pressure (bar/kpa)	Air Delivery (m ³ /min)	Pipe Diameter	Dimension(mm)	Weight (kg)			
SK90BPM	90	0.4/40	98.0	DN300	3300*1750*2350	2550			
		0.6/60	78.0	DN250	3100*1500*2150	2200			
		0.8/80	68.0						
		1.0/100	61.0						
		SK110BPM	110	1.2/120	50.0	DN200	2700*1400*1900	1850	
				1.5/150	42.0				
				1.8/180	34.0				
2.0/200	30.5								
0.4/40	113.0			DN300	3300*1750*2350				2600
SK132BPM	132	0.6/60	112.0	DN300	3300*1750*2350	2600			
		0.8/80	98.0						
		1.0/100	81.0						
		SK160BPM	160	1.1/110	73.0	DN250	3100*1500*2150	2300	
				1.2/120	71.0				
				1.5/150	58.0				
				1.8/180	48.0				
2.0/200	44.0								
SK185BPM	185	0.4/40	180.0	DN300	3600*2100*2350	3500			
		0.6/60	130.0	DN300	3300*1750*2350	2750			
		0.8/80	111.0						
		1.0/100	101.0						
		SK200BPM	200	1.1/110	89.0	DN300	3600*2100*2350	3500	
				1.2/120	80.0				
				1.5/150	70.0				
SK220BPM	220			0.4/40	203.0	DN300	3600*2100*2350	3500	
				0.6/60	154.0	DN300	3300*1750*2350	2800	
				0.8/80	129.0				
				1.0/100	110.0				
		SK250BPM	250	1.2/120	96.0	DN300	3600*2100*2350	3600	
				1.5/150	83.0				
1.8/180	66.5								
SK280BPM	280			0.4/40	212.0	DN300	3600*2100*2350	3600	
				0.6/60	177.0	DN300	3300*1750*2350	2800	
				0.8/80	144.0				
		1.2/120	110.0						
		SK315BPM	315	1.5/150	90.0	DN300	3600*2100*2350	3800	
				1.8/180	76.0				
2.0/200	66.0								
0.6/60	196.0			DN300	3300*1750*2350				2700
0.8/80	159.0								
1.0/100	127.0								
SK480BPM	355	1.5/150	100.0	DN300	3600*2100*2350	4000			
		1.8/180	86.0						
		2.0/200	73.0						
		0.6/60	220.0				DN300	3600*2100*2350	3900
0.8/80	182.0								
1.0/100	150.0								
SK540BPM	400	1.2/120	125.0	DN300	3600*2100*2350	4100			
		1.5/150	109.0						
		1.8/180	95.0						
SK540BPM	400	2.0/200	85.0	DN300	3600*2100*2350	4200			
		0.8/80	206.0						
		1.0/100	178.0						
SK540BPM	400	1.1/110	162.0	DN300	3600*2100*2350	4100			
		1.2/120	148.0						
		1.0/100	195.0						
SK540BPM	400	1.2/120	170.0	DN300	3600*2100*2350	4100			
		1.5/150	160.0						
SK540BPM	400	1.5/150	188.0	DN300	3600*2100*2350	4200			

Dry Oil-free Screw Air Compressor RDO Series

The air quality of dry oil-free air compressor complies with the requirement of Class 0 in terms of total oil content, as defined in ISO 8573-1.



Dry oil-free screw air compressor is widely used in Food, Medicine, Electronics, Chemicals, Semiconductor Printings, Precision Spraying and other industries.



Original German Air-end with World Well-know Screw Technology

Adopt original German air end with high durability and good quality, which is perfect for compressing pure and clean air.

New Noise Reduction Design - Venturi Tube Muffler

The first and second stage of the air-end all adopt the newly developed venturi muffler, and there is also an impedance integrated muffler, which can greatly eliminate the noise emitted by the compressor pipeline.



Technical Parameters

Model	Air Delivery (m ³ /min)			Power (kW)	Noise dB(A)	Outlet diameter	Dimension (mm) L * W * H		Weight (Kg)	
	7 bar	8 Bar	10 bar				Air-cooled	Water-cooled	Air-cooled	Water-cooled
SDO-45A/W	4.5-7.8	4.0-6.8	3.7-6.4	45	69±3	DN50	2200*1400*2000	2200*1500*1720	2650	2700
SDO-55A/W	5.7-9.8	5.2-9.0	4.4-7.8	55	69±3	DN50	2200*1400*2000	2200*1500*1720	2850	2900
SDO-75A/W	7.6-13.0	7.2-12.2	6.6-11.2	75	70±3	DN50	2200*1400*2000	2200*1500*1720	2950	2900
SDO-90A/W	9.6-16.0	8.1-13.8	7.6-13.1	90	71±3	DN50	2200*1400*2000	2200*1500*1720	3000	2950
SDO-110A/W	12.1-20.6	11.6-19.5	11.1-18.8	110	71±3	DN65	3000*1990*2180	2800*1900*1990	3500	3550
SDO-132A/W	14.7-24.8	13.6-23.0	11.5-19.5	132	73±3	DN65	3000*1990*2180	2800*1900*1990	3550	3600
SDO-160A/W	16.9-28.5	15.6-26.3	14.1-23.8	160	73±3	DN65	3000*1990*2180	2800*1900*1990	3650	3750
SDO-185A/W	19.5-32.8	17.1-28.9	16.3-27.5	185	74±3	DN65	3000*1990*2180	2800*1900*1990	4100	4200
SDO-200A/W	21.8-36.8	20.4-34.6	18.1-30.6	200	74±3	DN100	4500*2000*2100	3100*2100*2065	5100	4500
SDO-220A/W	24.9-41.5	22.4-37.3	19.8-33.0	220	74±3	DN100	4500*2000*2100	3100*2100*2065	5600	5000
SDO-250A/W	27.3-46.0	25.3-42.8	22.7-38.2	250	74±3	DN100	4500*2000*2100	3100*2100*2065	5700	5200
SDO-280A/W	31.6-48.6	30.9-47.5	29.3-45.0	280	76±3	DN100	4500*2000*2100	3100*2100*2065	5800	5300
SDO-315A/W	34.1-52.5	32.9-50.6	31.5-48.5	315	77±3	DN100	4500*2000*2100	3100*2100*2065	6000	5400

Note: " A " means air cooling, " W " means water cooling.

Oil-free Water Lubricated Screw Air Compressor RW Series

Product features

■ Optimal Water Lubricated Screw Unit

The oil-free water lubricated screw unit adopts PEEK ultra-high-strength ultra-wear-resistant molecular material and aerospace-grade all-stainless steel rotor. The system piping and housing are also made of stainless steel.

■ Class 0 Oil-free

Water is used for lubrication, cooling, sealing and noise reduction. 100% oil-free and pollution-free, the used water is environmentally friendly and can be drained directly.

■ Reliable Solenoid Valve

Danfoss and ODE solenoid valves are selected, high sensitivity & longer lifetime.

■ Less Consumables and Easy Operation

Air filter and water filter only. Lubricating water is automatically replenished and drained regularly.



Technical Parameters

Model	Air Delivery (m ³ /min)			Power (kW)	Lubricating water amount (Liters)	Cooling water amount T/Hour	Cooling water inlet/outlet diameter	Noise dB(A)	Outlet diameter	Dimension (mm)	Weight (Kg)
	8 bar	10 Bar	12.5 bar							L * W * H	
SW-08A/W	1.17	1.05	0.81	7.5	10	2.0	3/4"	58	3/4"	800*800*1200	470
SW-11A/W	1.65	1.42	1.10	11	26	2.5	1"	60	3/4"	1150*755*1340	580
SW-15A/W	2.43	2.17	1.80	15	26	3.5	1"	63	3/4"	1150*755*1340	650
SW-18A/W	3.13	2.82	2.05	18.5	30	4.0	1"	65	1"	1400*900*1450	705
SW-22A/W	3.52	3.21	2.78	22	30	5.0	1"	65	1"	1400*900*1450	745
SW-30A/W	5.12	4.43	3.63	30	40	7.0	1 1/2"	67	1 1/4"	1550*1150*1550(A) 1500*1150*1300(W)	1100
SW-37A/W	6.30	5.33	4.77	37	40	9.0	1 1/2"	67	1 1/4"	1550*1150*1550(A) 1500*1150*1300(W)	1150
SW-45A/W	7.40	6.30	5.56	45	90	10.0	1 1/2"	68	2"	1980*1300*1760(A) 1800*1300*1670(W)	1390
SW-55A/W	9.60	8.55	7.67	55	120	12.0	1 1/2"	70	2"	1980*1300*1760(A) 1800*1300*1670(W)	1470
SW-75A/W	13.00	11.50	9.70	75	120	18.0	1 1/2"	73	2"	2100*1600*1900(A) 2200*1500*1800(W)	2250(A) 1630(W)
SW-90A/W	14.80	13.90	12.60	90	180	20.0	1 1/2"	73	2 1/2"	2400*1600*2000(A) 2200*1500*1800(W)	2650(A) 2350(W)
SW-110A/W	19.85	16.66	15.56	110	180	24.0	2"	78	2 1/2"	3000*1700*2250(A) 2200*1500*1800(W)	3150(A) 2460(W)
SW-132A/W	23.10	19.97	16.90	132	240	30.0	2"	78	2 1/2"	3000*1700*2250(A) 2200*1500*1800(W)	3500(A) 2500(W)
SW-160W	28.11	25.45	22.52	160	240	35.0	3"	80	DN80	2700*2800*2050	3700
SW-185W	33.97	29.00	25.21	185	300	38.0	3"	80	DN80	2700*2800*2050	3750
SW-200W	36.75	32.78	29.24	200	300	42.0	4"	80	DN100	2700*2800*2050	3900
SW-220W	39.67	36.75	29.63	220	360	47.0	4"	80	DN100	2700*2800*2050	4200
SW-250W	43.50	39.30	34.00	250	360	58.0	4"	80	DN100	2700*2800*2050	4600

Note: "A" means air cooling, "W" means water cooling.

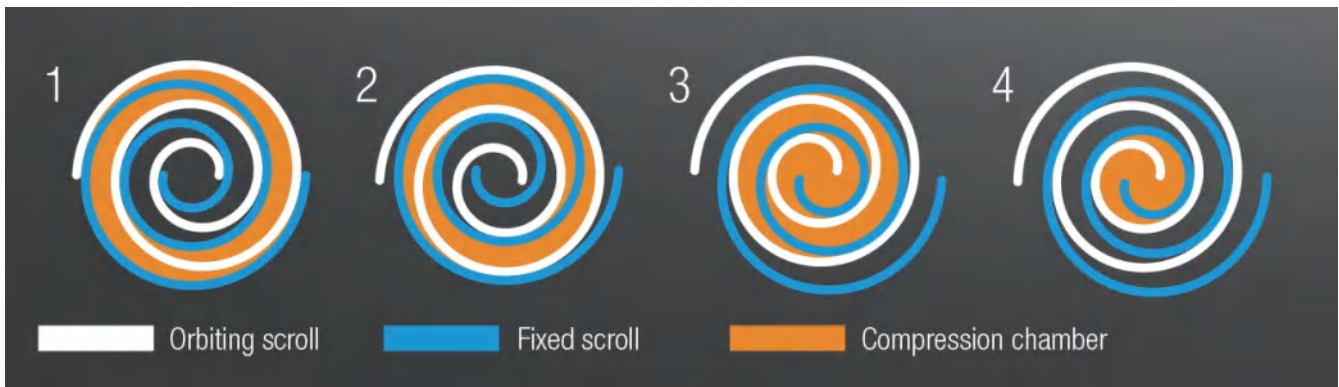
Application

- Food
- Medicine
- Electronics
- Chemicals
- Aerospace fields
- Semiconductor
- Precision Spraying
- Biological Engineering
- Medical instruments

Oil-free Scroll Air Compressor RO Series

Scroll Compression Principle

As the orbiting scroll goes from No. 1 to No.4 position, the room of the symmetrical crescent-shaped compression chambers is gradually reduced, compressing the air contained within. This is then discharged through the central exhaust port.



Fully Oil-free

Class 0 oil-free is certified by German TUV organization.



Low Vibration

The high-pressure area around the axis is evenly distributed, without eccentricity, good balance and well controlled vibration.



Super Silent

Reasonable vibration and noise reduction design, smooth output airflow without fluctuation, low noise and low vibration.



Intelligent and Reliable

Multi-stage scroll air-ends, automatically controls the scroll units according to the air demand. Failed air-end doesn't affect to the system as all units are controlled independently.

Compared with the traditional compressor, the oil-free scroll type has excellent performance such as novel structure, compact size, light weight, low noise level, long life and low maintenance cost. It is known as "maintenance-free air compressor" and is an ideal model for air compressors below 50HP.



Technical Parameters

Model	Air Delivery (m ³ /min)		Power (kW)	Air-end	Air tank	Noise dB(A)	Outlet diameter	Dimension (mm)	Weight (Kg)
	8 Bar	10 Bar		Power * Qty	Liters			L * W * H	
SKO-2.2AT	0.24	0.22	2.2	2.2*1	40	55	G1/2	700*500*1220	160
SKO-3.7AT	0.40	0.34	3.7	3.7*1	40	55	G1/2	700*500*1220	170
SKO-2.2A	0.24	0.22	2.2	2.2*1	/	55	G1/2	650*500*870	125
SKO-3.7A	0.40	0.34	3.7	3.7*1	/	55	G1/2	650*500*870	135
SKO-5.5A	0.60	0.55	5.5	5.5*1	/	55	G1/2	790*640*1050	190
SKO-7.5A	0.80	0.68	7.4	3.7*2	/	60	G1/2	980*675*1270	350
SKO-11A	1.20	1.10	11	5.5*2	/	60	G3/4	852*1274*1330	450
SKO-15A	1.60	1.36	14.8	3.7*4	/	63	G1 1/2	1565*1274*1330	700
SKO-16.5A	1.80	1.65	16.5	5.5*3	/	63	G1 1/2	1565*1274*1330	710
SKO-22A	2.40	2.20	22	5.5*4	/	63	G1 1/2	1565*1274*1330	730
SKO-33A	3.60	3.30	33	5.5*6	/	65	G1 1/2	1565*1274*1775	1020
SKO-44A	4.80	4.40	44	5.5*8	/	68	G1 1/2	1565*1274*1775	1250

Refrigerant Air Dryer

- **Energy saving.** Aluminum alloy three-in-one heat exchanger design, under the same processing capacity, the total input power is reduced by 15-50%.
- **High efficiency.** Guide fins are added to the integrated heat exchanger to make the compressed air uniform inside.
- **Intelligent.** Multi-channel temperature and pressure monitoring, real-time display of dew point temperature, self-diagnosis function, automatic protection of equipment.
- **Environmental protection.** The whole series uses R134A & R410A as refrigerant, meets european standard, true eco-friendly.
- **Stable.** Standard constant pressure expansion valve, intelligent temperature control, stable operation even when the intake air temperature reaches 65°C and the ambient temperature reaches 55°C.



Working condition

Ambient temperature : 38°C, Max.55°C

Inlet temperature : 38°C, Max.65°C

Working pressure : 6~13 bar/16~20 bar/30~40 bar (Optional)

Pressure dew point : 2°C~10°C (Atmospheric dew point: -23°C~ -17°C)

Installation request : Avoid direct sunlight & rain, good ventilation, install horizontally on the hard ground, no dust and fluff etc.

Technical Parameters

	Model	SK01	SK02	SK03	SK06	SK08	SK10	SK12
Capacity	m ³ /min	1.2	2.4	3.6	6.5	8.5	10.5	13
Power supply		110~230V 1PH 50HZ/60HZ						
Input power	kW	0.37	0.52	0.735	1.26	1.87	2.43	2.63
Air pipe connection		RC3/4"		RC1"	RC1-1/2"	RC2"		
Evaporator type		Aluminum alloy plate						
Refrigerant		R134A		R410A				
Display		LED dew point display, LED alarm code display, operation status indication						
Anti-freezing protection		Constant pressure expansion valve & compressor automatic start /stop						
Temperature control		Automatic control of condensing temperature / dew point temperature						
High voltage protection		Temperature sensor		Temperature sensor&Inductive intelligent protection				
Low voltage protection		Temperature sensor&Inductive intelligent protection						
Weight	Kg	34	42	50	63	73	85	94
Dimension (mm)	L	480	520	640	700	770	770	800
	W	380	410	520	540	590	590	610
	H	665	725	850	950	990	990	1030

	Model	SK15	SK20	SK25	SK30	SK40	SK50	SK60	SK80	SK100	SK120
Capacity	m ³ /min	17	23	27	33	42	55	65	85	110	130
Power supply		220~660V 3PH 50HZ/60HZ									
Input power	kW	3.7	4.9	5.8	6.1	8	9.2	10.1	12	18.7	22.8
Air pipe connection		DN50	DN65	DN80	DN80	DN100	DN100	DN100	DN125	DN150	DN150
Evaporator type		Aluminum alloy plate									
Refrigerant		R407C									
Display		Smart PLC, LED dew point display, LED alarm code display, operation status indication									
Anti-freezing protection		Constant pressure expansion valve & compressor automatic start/stop									
Temperature control		Automatic control of condensing temperature/dew point temperature									
High voltage protection		Temperature sensor&Inductive intelligent protection									
Low voltage protection		Temperature sensor&Inductive intelligent protection									
Weight	Kg	180	210	350	420	550	680	780	920	1060	1200
Dimension (mm)	L	1000	1200	1200	1450	1450	1600	1650	1850	2280	2100
	W	850	900	950	1000	1100	1200	1200	1350	1800	1900
	H	1143	1203	1273	1523	1683	1700	1700	1850	1960	2000

SXD Series Heatless Desiccant Air Dryer

Heatless dryer adopts pressure swing adsorption technology, the desiccant has different adsorb performances under different working pressure. The desiccant adsorb the moisture under the working pressure and desorption under the atmospheric pressure. The system with two towers for the periodic auto switching, one tower on adsorption, the other one on regeneration, simple structure and easy to maintenance.



Standard conditions

Ambient temperature	≤45°C
Working pressure	5~13bar/13~40bar (Optional)
Inlet oil content	≤0.1ppm (w)
Pressure drop	≤0.21bar
Dew-point	-20°C/-40°C (Optional)
Air loss	≤14.5%

Note: Other requirements can be customized

Technical Parameters

Model	Air Capacity (Nm ³ /min)	Voltage (V/Hz)	Power (kW)	Inlet/Outlet (PT)	Dimension (mm)			Weight (Kg)
					Length	Width	Height	
SKXD-01	1.2	220V/50HZ	0.2	RC1"	670	460	1305	105
SKXD-02	2.4	220V/50HZ	0.2	RC1"	670	450	1485	135
SKXD-03	3.2	220V/50HZ	0.2	RC1"	850	500	1385	187
SKXD-06	6.5	220V/50HZ	0.2	RC1 1/2"	1000	700	1700	238
SKXD-08	8.5	220V/50HZ	0.2	RC2"	1100	700	2050	282
SKXD-10	11.5	220V/50HZ	0.2	RC2"	1200	700	2030	466
SKXD-12	13.5	220V/50HZ	0.2	RC2"	1300	700	2280	520
SKXD-15	17	220V/50HZ	0.2	DN65	1300	820	2480	670
SKXD-20	23	220V/50HZ	0.2	DN80	1380	820	2530	798
SKXD-25	27	220V/50HZ	0.2	DN80	1650	900	2450	980
SKXD-30	34	220V/50HZ	0.2	DN80	1700	955	2410	1278
SKXD-40	45	220V/50HZ	0.2	DN100	1950	1000	2550	1624
SKXD-50	55	220V/50HZ	0.2	DN100	2010	1170	2650	1624
SKXD-60	65	220V/50HZ	0.2	DN100	2160	1470	2705	2650
SKXD-80	85	220V/50HZ	0.2	DN125	2420	1550	2800	3520
SKXD-100	110	220V/50HZ	0.2	DN150	2500	1650	2800	4320
SKXD-120	130	220V/50HZ	0.2	DN150	2650	1650	2800	4750
SKXD-150	155	220V/50HZ	0.2	DN200	2800	1700	2900	5260

SRD Series Heated Desiccant Air Dryer

Compared to heatless dryer, the heated desiccant air dryer has heater in system . The desiccant adsorb the moisture under the working pressure by heating compressed air on regeneration process. By this way, can save air loss better than heatless type dryer.



Standard conditions

Ambient temperature	≤45°C
Working pressure	5~13bar/13~40bar (Optional)
Inlet oil content	≤0.1ppm (w)
Pressure drop	≤0.21bar
Dew-point	-20°C/-40°C/-70°C(Optional)
Air loss	≤6%

Note: Other requirements can be customized

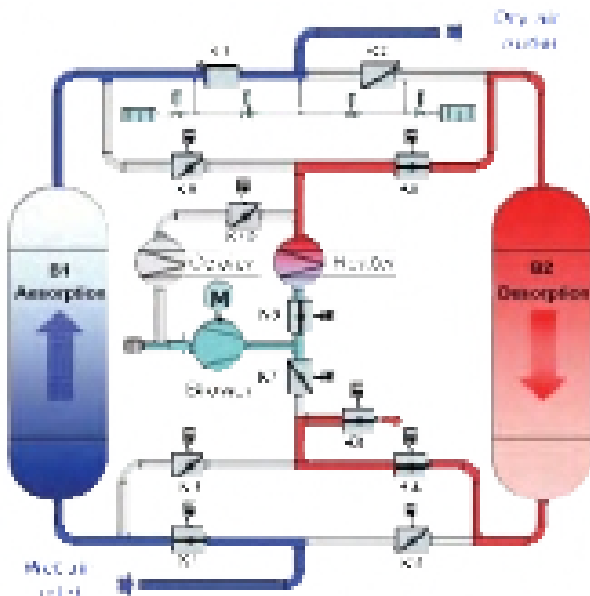
Technical Parameters

Model	Air Capacity (Nm ³ /min)	Voltage (V/Hz)	Power (kW)	Inlet/Outlet (PT)	Dimension (mm)			Weight (Kg)
					Length	Width	Height	
SKD-01	1.2	220V/50HZ	0.5	RC1"	670	500	1305	135
SKD-02	2.4	220V/50HZ	0.8	RC1"	670	580	1685	170
SKD-03	3.2	220V/50HZ	1.0	RC1"	850	580	1450	240
SKD-06	6.5	220V/50HZ	1.8	RC1 1/2"	1025	700	1700	285
SKD-08	8.5	220V/50HZ	2.4	RC2"	1100	700	2050	255
SKD-10	11.5	380V/50HZ	3.0	RC2"	1200	500	2173	526
SKD-12	13.5	380V/50HZ	3.0	RC2"	1300	500	2183	605
SKD-15	17	380V/50HZ	4.5	DN65	1280	820	2360	712
SKD-20	23	380V/50HZ	6.0	DN80	1400	930	2530	848
SKD-25	27	380V/50HZ	7.5	DN80	1650	990	2450	1150
SKD-30	34	380V/50HZ	9.0	DN80	1700	955	2410	1328
SKD-40	45	380V/50HZ	12	DN100	1950	1000	2550	1674
SKD-50	55	380V/50HZ	15	DN100	2010	1170	2650	2100
SKD-60	65	380V/50HZ	18	DN125	2160	1470	2705	2707
SKD-80	85	380V/50HZ	24	DN150	2420	1550	2800	3573
SKD-100	110	380V/50HZ	30	DN150	2500	1650	2800	4639
SKD-120	130	380V/50HZ	36	DN150	2650	1650	2800	5100
SKD-150	155	380V/50HZ	45	DN200	2800	1300	2900	5586

SGD Series Zero Loss Blower Heat Desiccant Air Dryer

Product features

- Zero loss blower desiccant air dryer is a kind of energy-saving compressed air treatment product, composed of the following components: Two adsorption towers, one electric heater, one air blower, one after-cooler, one set of switching valves and one set of controlling system.
- When the compressed air flows through the fixed bed layers of adsorption tower, the moisture will be adsorbed by desiccant, after the desiccant get saturated, regenerate the desiccant by hot air to recover its adsorption capacity. Use the air blower sucking the ambient air to cooling the desiccant, full system without air loss.



Standard conditions

Working pressure	6~13bar/13~40bar (Optional)
Inlet temperature	40°C
Ambient temperature	≤45°C
Dew-point	≤-40°C
Air loss	0%
Inlet oil content	<0.1ppm (w)
Switch time	5 hr
Desiccant activate alumina molecular sieve	



Technical Parameters

	Model	SKGD-12	SKGD-15	SKGD-20	SKGD-25	SKGD-30	SKGD-40	SKGD-50	SKGD-60	SKGD-80	SKGD-100
Capacity	m3/min	13	17	23	27	34	45	55	65	87	110
Heating power	kW	9	12	15	18	24	32.4	42	48	64.8	81
Blower power	kW	2.2	3	3.3	4.2	5.5	7.2	8.8	10.8	13.8	17.5
Air pipe connection		DN50	DN50	DN65	DN80	DN80	DN100	DN100	DN125	DN150	DN150
Weight	Kg	950	1150	1380	1720	2060	2750	3430	4120	5500	6300
Dimension(mm)	L	1500	1600	1750	1900	2100	2530	2750	2920	3040	3210
	W	1450	1450	1500	1550	1550	2180	2390	2510	2780	2920
	H	2150	2450	2780	2880	2100	2920	3100	3080	3120	3200

Carbon Steel Gas Tank (0.8Mpa~1.3Mpa)

Gas tank is not only for gas storage but stabilize system pressure.

Function:

- Gas storage.
- Steady gas pressure.
- Relieve the damage caused by impulse pressure direct impact equipment.
- Ensure the stability and continuity of the output gas.
- Separation of moisture and impurities in the gas preliminarily.



Technical Parameters

Serial number	Specifications Volume/work pressure (m³/Mpa)	Container height (mm) H1	inside diameter of vessel Φ	Gas inlet (mm)		Gas outlet (mm)		Support		Drain valve connector	Safety valve connector	Air compressor (m³/min)	Weight(Kg)	
				H2	DN	H3	DN	D	d				Flange	Threaded
1	0.6/0.8	2102		680		1680							146	139
2	0.6/1.0	2104	650	681	40	1680	40	460	24	R1/2"	R1/2"	4~5	170	163
3	0.6/1.3	2104		681		1680							158	151
4	1.0/0.8	2180		716		1716							215	208
5	1.0/1.0	2182	800	716	40	1716	40	560	24	R1/2"	R3/4"	8~10	200	194
6	1.0/1.3	2183		720		1716							250	244
7	1.5/0.8	2460		692		1942							278	270
8	1.5/1.0	2460	950	692	40	1942	40	660	24	R1/2"	R3/4"	12~15	278	270
9	1.5/1.3	2460		694		1944							362	354
10	2.0/0.8	2600		760		2210							342	334
11	2.0/1.0	2600	1100	760	50	2210	50	740	24	R1/2"	R1 1/4"	16~20	375	367
12	2.0/1.3	2600		760		2210							442	434
13	3.0/0.8	2850		1210		2160							513	
14	3.0/1.0	2850	1300	1210	80	2160	80	950	24	R3/4"	R1 1/2"	24~30	599	
15	3.0/1.3	2850		1210		2160							767	
16	4.0/0.8	3640		1210		2960							636	
17	4.0/1.0	3640	1300	1210	80	2960	80	950	25	R3/4"	R1 1/2"	32~40	751	
18	4.0/1.3	3642		1210		2960							901	
19	5.0/0.8	3880		910		3210							794	
20	5.0/1.0	3880	1400	910	100	3210	80	1050	30	R3/4"	R2"	40~50	960	
21	5.0/1.3	3884		910		3210							1152	
22	6.0/0.8	4540		1230		3730							891	
23	6.0/1.0	4540	1400	1230	125	3730	80	1050	30	R3/4"	R2"	48~60	1043	
24	6.0/1.3	4540		1230		3730							1252	
25	8.0/0.8	4560		1125		3785							1260	
26	8.0/1.0	4560	1600	1125	125	3785	125	1200	30	R1"	R2"	64~80	1650	
27	8.0/1.3	4565		1125		3785							1980	
28	10/0.8	4680		1258		3658							1848	
29	10/1.0	4680	1800	1258	125	3658	125	1350	30	R1"	R2"	80	1848	
30	10/1.3	4682		1258		3658							2218	
31	15/0.8	5785		1241		4441							2502	
32	15/1.0	5785	2000	1241	125	4441	125	1500	30	R1"	R2"	80	2502	
33	15/1.3	5785		1241		4441							3002	
34	20/0.8	6088		1446		4846							2885	
35	20/1.0	6088	2200	1446	125	4846	125	1540	30	R1"	R2"	80	3590	
36	20/1.3	6088		1446		4846							4360	
37	25/0.8	6224		1420		5000							3404	
38	25/1.0	6228	2400	1422	125	5000	125	1800	30	R1"	R2"	80	4122	
39	25/1.3	6232		1424		5000							5000	
40	30/0.8	6600		1650		4850							4640	
41	30/1.0	6600	2600	1650	150	4850	150	1950	30	R1"	R2 1/2"	80	4640	
42	30/1.3	6600		1650		4850							5700	
43	40/0.8	8150		1637		6637							5800	
44	40/1.0	8150	2600	1637	150	6637	150	1950	30	R1 1/2"	R2 1/2"	80	5800	
45	40/1.3	8158		1640		6640							7022	
46	50/0.8	9402		2000		4500							7036	
47	50/1.0	9406	2800	2000	150	4500	150	1920	30	R1 1/2"	R2 1/2"	80	8450	
48	50/1.3	9410		2000		4500							9720	

Precision Line Filter

Precision filters guarantee the quality of compressed air for users, which is specially used in laser cutting, bottle blowing, food, advanced spraying, electronics and other industries. By installing precision filters, compressed air impurities (such as oil, moisture, particles etc.) can be effectively removed.

*Represents the filter level

Level C filtration accuracy: 3 microns, oil content: 3 ppm

Level T filtration accuracy: 1 micron, oil content: 1 ppm

Level A filtration accuracy: 0.01 micron, oil content: 0.01 ppm

Level H (activated carbon) filtration accuracy: 0.01 micron

Oil content: 0.001ppm



Technical Parameters

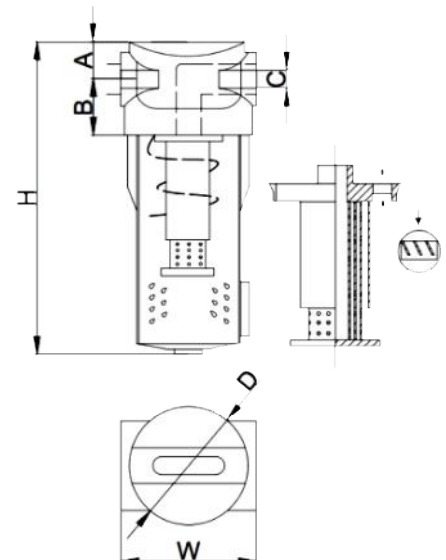
Model	Connection Size	Flow Rate (Nm ³ /min)	Working pressure (Mpa)	Dimensions (mm)		Matching filter element
				Width	Height	
SK-01	RC1"	1.5m ³ /min	0.7~1.3	105	285	01-C/T/A/H
SK-02	RC1"	2.4m ³ /min	0.7~1.3	105	285	02-C/T/A/H
SK-04	RC1-1/2"	4m ³ /min	0.7~1.3	125	350	04-C/T/A/H
SK-07	RC1-1/2"	8.5m ³ /min	0.7~1.3	125	480	07-C/T/A/H
SK-10	RC2"	11m ³ /min	0.7~1.3	140	610	10-C/T/A/H
SK-13	RC2"	13m ³ /min	0.7~1.3	140	610	13-C/T/A/H
SK-15	RC2-1/2"	17m ³ /min	0.7~1.3	150	900	15-C/T/A/H
SK-20 Thread	RC2-1/2"	20m ³ /min	0.7~1.3	200	1060	20-C/T/A/H
SK-20 Flange	DN65	20m ³ /min	0.7~1.3	320	1060	20-C/T/A/H
SK-25	DN80	25m ³ /min	0.7~1.3	320	1180	25-C/T/A/H
SK-30	DN80	30m ³ /min	0.7~1.3	430	1150	30-C/T/A/H
SK-40	DN100	40m ³ /min	0.7~1.3	430	1090	40-C/T/A/H
SK-50	DN100	50m ³ /min	0.7~1.3	490	1280	50-C/T/A/H
SK-60	DN125	60m ³ /min	0.7~1.3	540	1200	60-C/T/A/H
SK-80	DN125	80m ³ /min	0.7~1.3	540	1380	80-C/T/A/H
SK-100	DN150	100m ³ /min	0.7~1.3	600	1435	100-C/T/A/H
SK-01H16	RC1"	1.5m ³ /min	1.6	95	235	H01-C/T/A/H
SK-02H16	RC1"	2.4m ³ /min	1.6	95	276	H02-C/T/A/H
SK-04H16	RC1-1/2"	4m ³ /min	1.6	123	302	H04-C/T/A/H
SK-07H16	RC1-1/2"	8.5m ³ /min	1.6	123	420	H07-C/T/A/H
SK-10H16	RC2"	11m ³ /min	1.6	170	545	H10-C/T/A/H
SK-13H16	RC2"	13m ³ /min	1.6	170	545	H13-C/T/A/H
SK-01H30	RC1"	1.5m ³ /min	3.0	80	213	H01-C/T/A/H
SK-02H30	RC1"	2.4m ³ /min	3.0	80	213	H02-C/T/A/H
SK-04H30	RC1-1/2"	4m ³ /min	3.0	102	265	H04-C/T/A/H
SK-07H30	RC1-1/2"	8.5m ³ /min	3.0	117	405	H07-C/T/A/H
SK-10H30	RC2"	11m ³ /min	3.0	117	505	H10-C/T/A/H
SK-13H30	RC2"	13m ³ /min	3.0	148	610	H13-C/T/A/H

High-efficiency Cyclone Air-water Separator

An air-water separator installed before the compressed air filter and drying equipment can remove 99% of the liquid water, making after purification equipment more efficient. The unique two-stage cyclone separation design of Rocky air-water separator makes it more efficiency than the traditional air-water separator. The installation position is inside the air compressor, after the storage tank, before the air dryer.

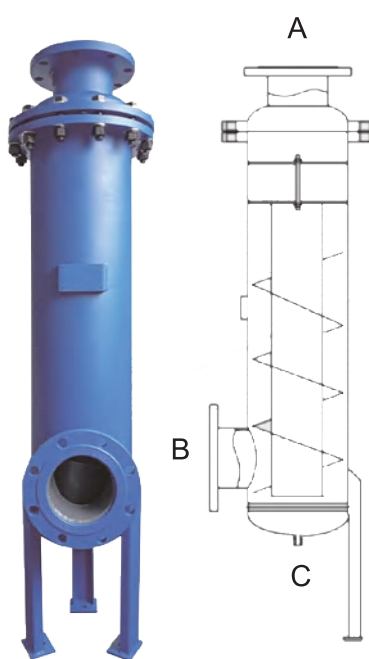
Technical Parameters

Filter Model	Flow Rate (m ³ /min)	Interface	Width(mm)	Height(mm)	A(mm)	B(mm)
SKS01	0.6-2	3/4"	95	235	32	51
SKS02	3.0-5.0	1"	95	276	32	51
SKS03	6.0-8.0	1-1/2"	125	302	38	65
SKS05	9.0-15.0	1-1/2"	125	420	38	65
SKS10	16.0-30.0	2"	170	545	46	82
SKS15	30-40	2-1/2"	175	730	51	94
SKS20	40-50	3"	220	600	85	110
SKS30	50-60	4"	220	820	85	110



Technical Parameters

Filter Model	Flow Rate (m ³ /min)	Interface	Barrel Diameter(mm)
SKST18	18-25	DN65	159
SKST36	30-45	DN100	240
SKST55	50-70	DN125	273
SKST90	75-100	DN125	325
SKST110	100-140	DN150	377
SKST155	150-180	DN200	426
SKST200	200-250	DN200	500
SKST300	300-350	DN250	550



Optional accessories

Auto condensate drainer/Electronic drain valve/Pressure gauge





Portable Diesel Two Wheel Series



Portable Diesel Four Wheel Series



Diesel Engine Driven Portable Classical Series



Diesel Engine Driven Portable Classical Series

Portable Diesel Screw Air Compressor (Low, Medium Pressure Series)

Technical Parameters						
Model	Nominal Pressure (bar)	Free Air Deliver (m ³ /min)	Oil Content (ppm)	Diesel Power (kW/HP)	Weight (kg)	Dimensions (mm)
42SKG	7	4	≤6	42 (57)	780	2110* 1500* 1620
50SKY	7	6	≤6	50 (68)	1050	2532* 1682* 1684
58SKY-8 two wheels	8	7	≤6	58 (80)	1550	3140* 1740* 1900
110SKY-8 four wheels	8	12	≤6	110 (150)	2480	3120* 1630* 2290
110SKY-10 two wheels	10	12	≤6	110 (150)	2280	2890* 2020* 2270
110SKY-10 four wheels	10	12	≤6	110 (150)	2260	3120* 1630* 2290
110SKY-14.5 two wheels	14.5	10	≤6	110 (150)	2130	2890* 2020* 2270
110SKY-14.5 four wheels	14.5	10	≤6	110 (150)	2180	3120* 1630* 2290
138SKY-14.5 two wheels	14.5	13	≤6	140 (180)	3000	3350* 2060* 2350
139SKY-13 four wheels(Yuchai)	13	15	≤6	140 (180)	3000	3650* 1700* 2040
141SKY-13 four wheels(Yuchai)	13	15.5	≤6	140 (180)	2510	3650* 1700* 2040
180SKY-8 four wheels	8	20	≤6	179 (240)	3800	3720* 1970* 2250



Product Features:

1. Cummins or Yuchai Engines.
2. Automatic control and protection system.
3. Error free capacity control.
4. Deluxe micro-computer florescence control panel
(customization available for above 5500 high altitude applications by)
5. High quality filtration system with safety filters.

Portable Diesel Driven Screw Air Compressor (High Pressure Series)

Technical Parameters						
Model	Nominal Pressure (bar)	Free Air Deliver (m ³ /min)	Oil Content (ppm)	Diesel Power (kW/HP)	Weight (kg)	Dimensions (mm)
177SKY-17 four wheels	17	16	≤6	177(240)	3800	3720* 1970* 2250
188SKY-18 four wheels (China national II standard)	18	18	≤6	191(260)	3650	3720* 1970* 2250
195SKY-19 four wheels	19 two stage compression	19	≤6	191(260)	3830	3720* 1970* 2250
198SKY-18 four wheels (China national II standard)	18	18	≤6	191(260)	3900	3720* 1970* 2250
250SKY-17 four wheels	17	22	≤6	250(340)	4800	3810* 2000* 2900
260SKY-21 four wheels	21 two stage compression	21	≤6	250(340)	4590	4510* 2000* 2900
228SKY-21 China national III standard	21 two stage compression	21	≤6	228(310)	4060	3800* 1870* 2550
288SKY-22 China national III standard	22 two stage compression	27	≤6	295(380)	4910	4150* 2000* 2900

Aluminum Pipework System

Aluminum alloy piping systems have been widely used in European and American countries to deliver compressed air, vacuum, nitrogen and inert gases. The product has been recognized by many well-known domestic



SERVICES

We also provide Premium Screw Air Compressor Services and Spares for all types of other famous brands. Experienced in Compressed Air Systems for 40 years, Sakoon Pneumatics is known for excellent services and after-sales support. Depending on Industrial needs, our team of qualified technicians schedule ideal maintenance plans for your compressed air system which lead to optimum machine performance, reduced downtime and increase productivity.



- COMPRESSOR SERVICE (CONTRACTS)
- AIREND SERVICE
- INSTALLATION
- COMMISSIONING
- MAINTENANCE



SERVICE KITS

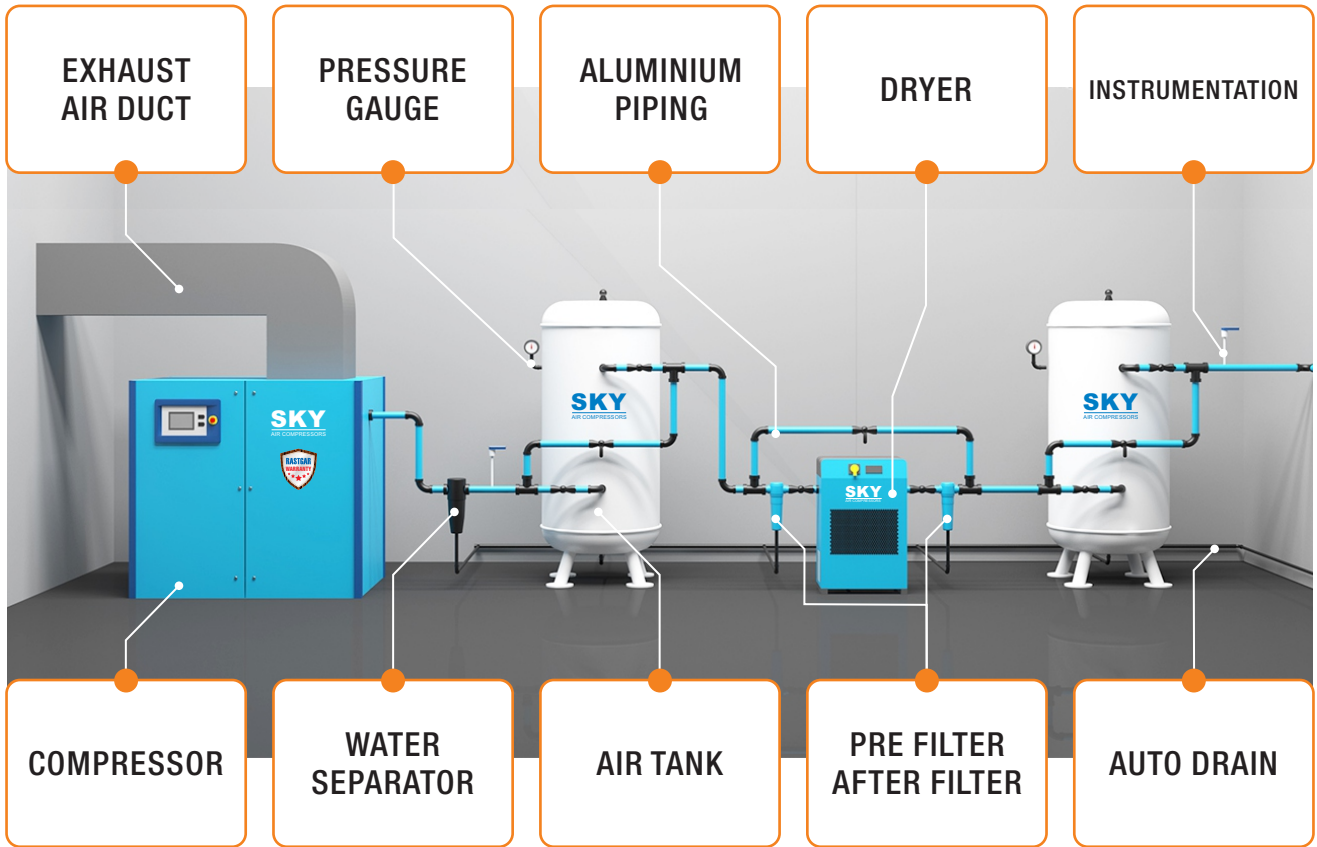
COMPRESSOR OIL AND SAKOON KITS

BUY ONLINE shop.sakoon.com.pk



EXPERT IN COMPRESSED AIR SYSTEMS

نیا کمپریسور روم ہم سے بنوائیں



Specialized Compressor Room Services

- Compressor Room Location & Dimension
- Selection of Compressor (Technology & Type)
- Air Quality & Downstream Equipment
- Header & Ring Main Pipe Material & Size
- Compressed Air Equipment Layout
- 2D & 3D Layout Design
- Monitoring & Instrumentation
- Installations & Commissioning



Pakistan Customers

BOLA GEMA
PAKISTAN



Kanas

Champion
Champion International Corporation

THERMOSE
Industries (Pvt) Ltd.

JOYLAND
FORTRESS STADIUM

Golden

Food for every Mood!

WELLBORNE
PHARMACHEM & BIOLOGICALS

MAQSOOD FAISAL
PRINTING PRESS (SMC-PVT.) LTD.

MUSTAFA STEEL

MZ STEEL
CONSTRUCTION

ZAC REFILLING

Pak
FOODS

Shanghai, Changxing Building Address:
1/F, Changxing Building, No.888 Bibo Road,
Pudong District, Shanghai, 200120, China

Plot # 123, Sundar Industrial State, Lahore - Pakistan

+92 334 593 3391
www.skyair-compressors.com
sales@skyair-compressors.com
[company/sky-air-compressors](https://www.linkedin.com/company/sky-air-compressors)